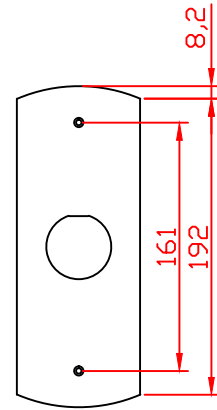
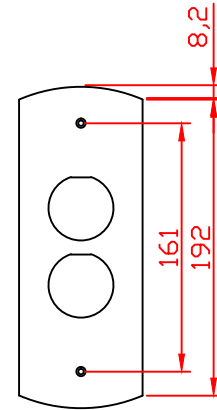


Materiale: standard INOX 20/10 satinato

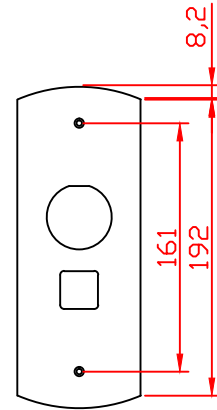
Inox lucido e trattamenti PVD opzionali



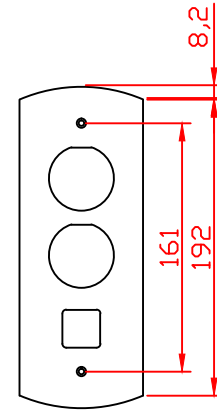
SE-80-1F-S-35



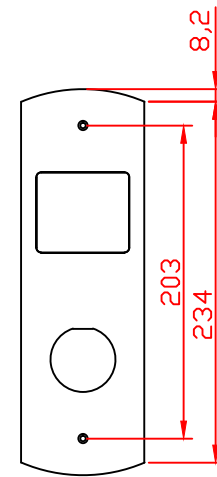
SE-80-2F-S-35



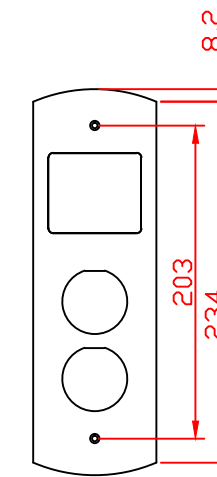
SE-80-1FB-S-35



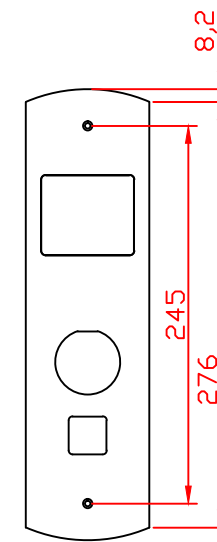
SE-80-2FB-S-35



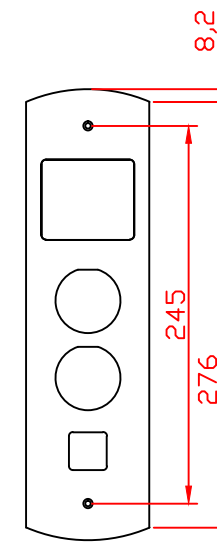
SE-80-1FD-S-35



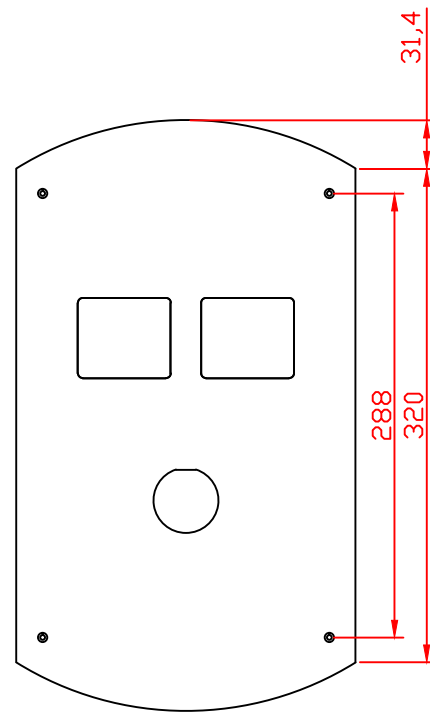
SE-80-2FD-S-35



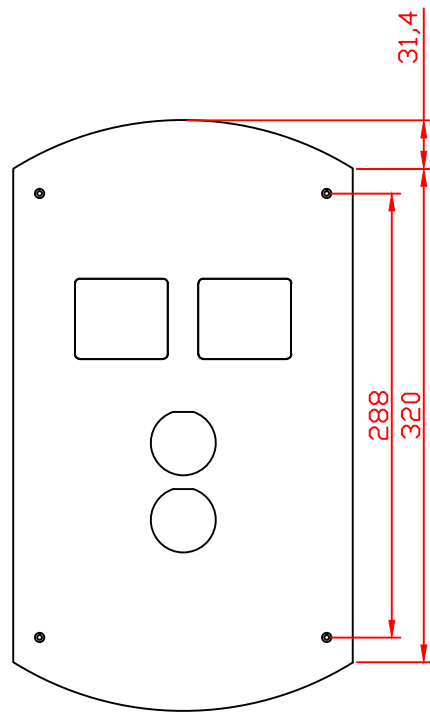
SE-80-1FDB-S-35



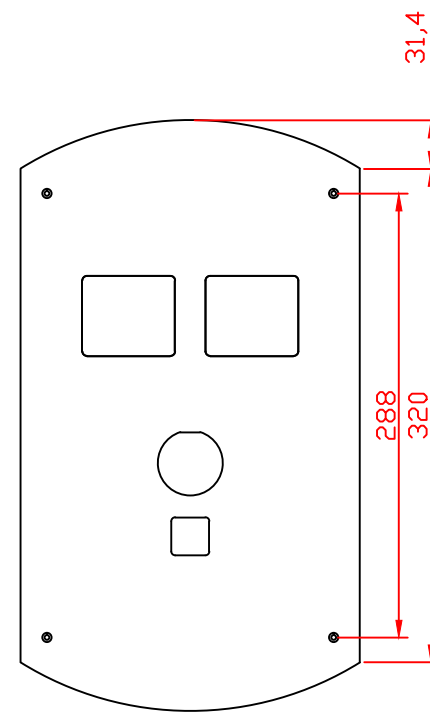
SE-80-2FDB-S-35



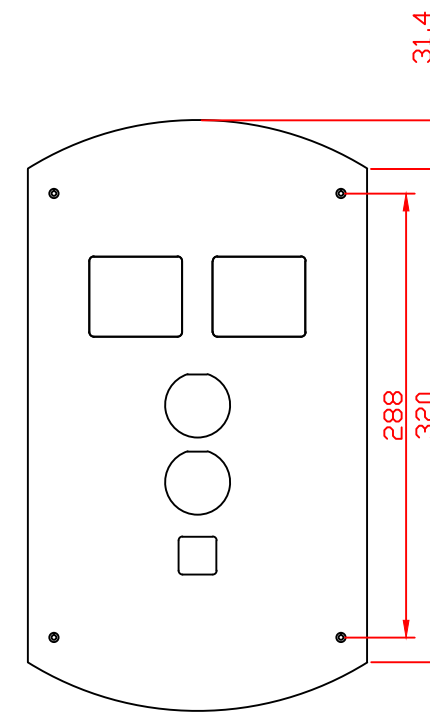
SE-220-1FDX-S-35



SE-220-2FDX-S-35



SE-220-1FDBX-S-35



SE-220-2FDBX-S-35

